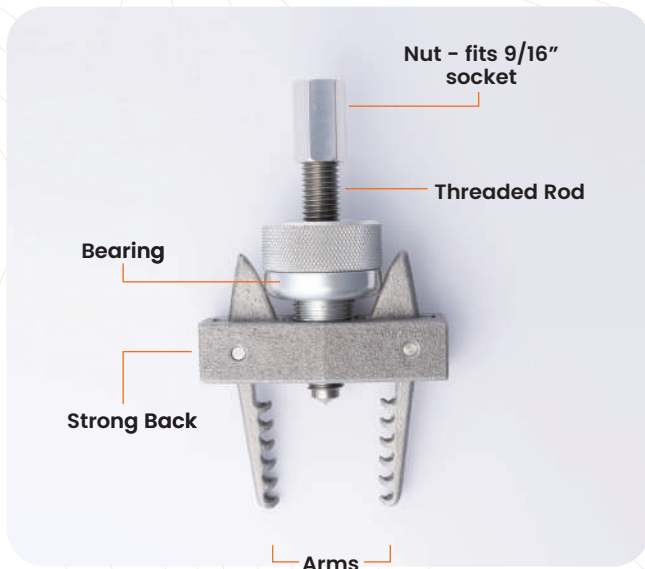


# Impeller Removal with ImpelPro

\*\*Reminder: Mechanical devices or tools used on the thumbscrew or strongback will void the warranty and performance guarantee. Please call us if you are having trouble pulling impeller.

**(888)749-4046**

## STEP 1



- Lube the threads of the puller with any lubricant.
- Insert a rod into the top part of the knurled thumbscrew.
- Start with both arms parallel to each other.
- Use the knurled thumbscrew to adjust the arms in or out.
- Adjust the threaded rod to be flush at the bottom of the strong back

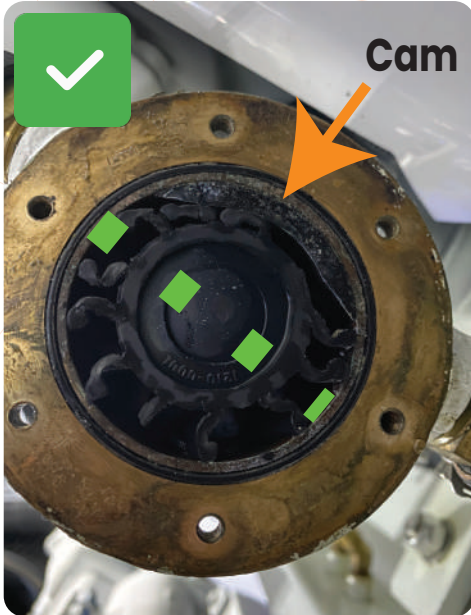
## STEP 2



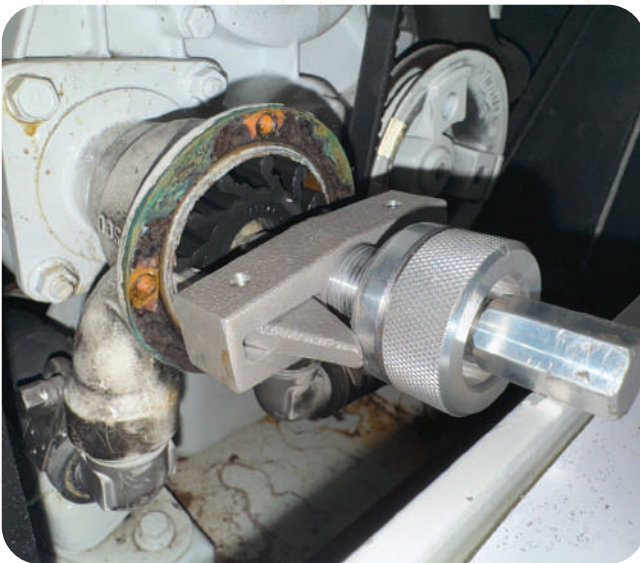
- From the pump body, remove screws, and cover plate.
- Pop out the seal and expose the end of the shaft
- Locate the cam on the water pump housing. The cam is the half moon shaped, fixed/raised section inside the circular pump housing that compress the impeller to create water flow. It makes the inner circle slightly off-center.
- **Important:** Do not install the tool with the arms directly over the cam. Instead, rotate the impeller or reposition the tool so the arms grip sections opposite the cam for best leverage and to avoid tool damage.

### STEP 3

- Choose two points on the impeller that are directly across from each other and centered in the housing—this ensures the threaded rod aligns with the center of the impeller shaft.
- **Important:** The tool must be centered to work properly. If it's off-center or angled due to the cam, it will not pull the impeller and may damage the tool..

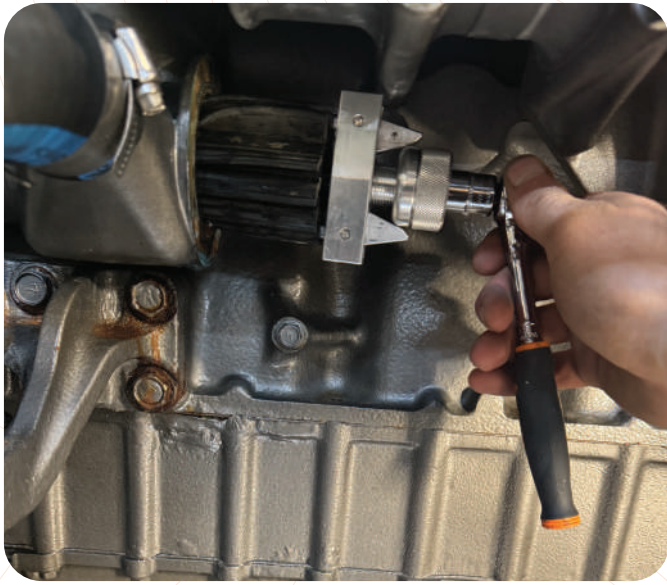


### STEP 4



- Install the tool with the arms into the raw water pump.
- Tighten down the thumb screw to set the arms into the impeller.
- Turn the threaded rod in by hand until the tip of the rod reaches the impeller pump shaft.

## STEP 5



- Use a 9/16" wrench or socket to continue to tighten the bolt which will remove the impeller.
- If the teeth did not set, please redo step 4 and tighten the thumbscrew tighter by hand.