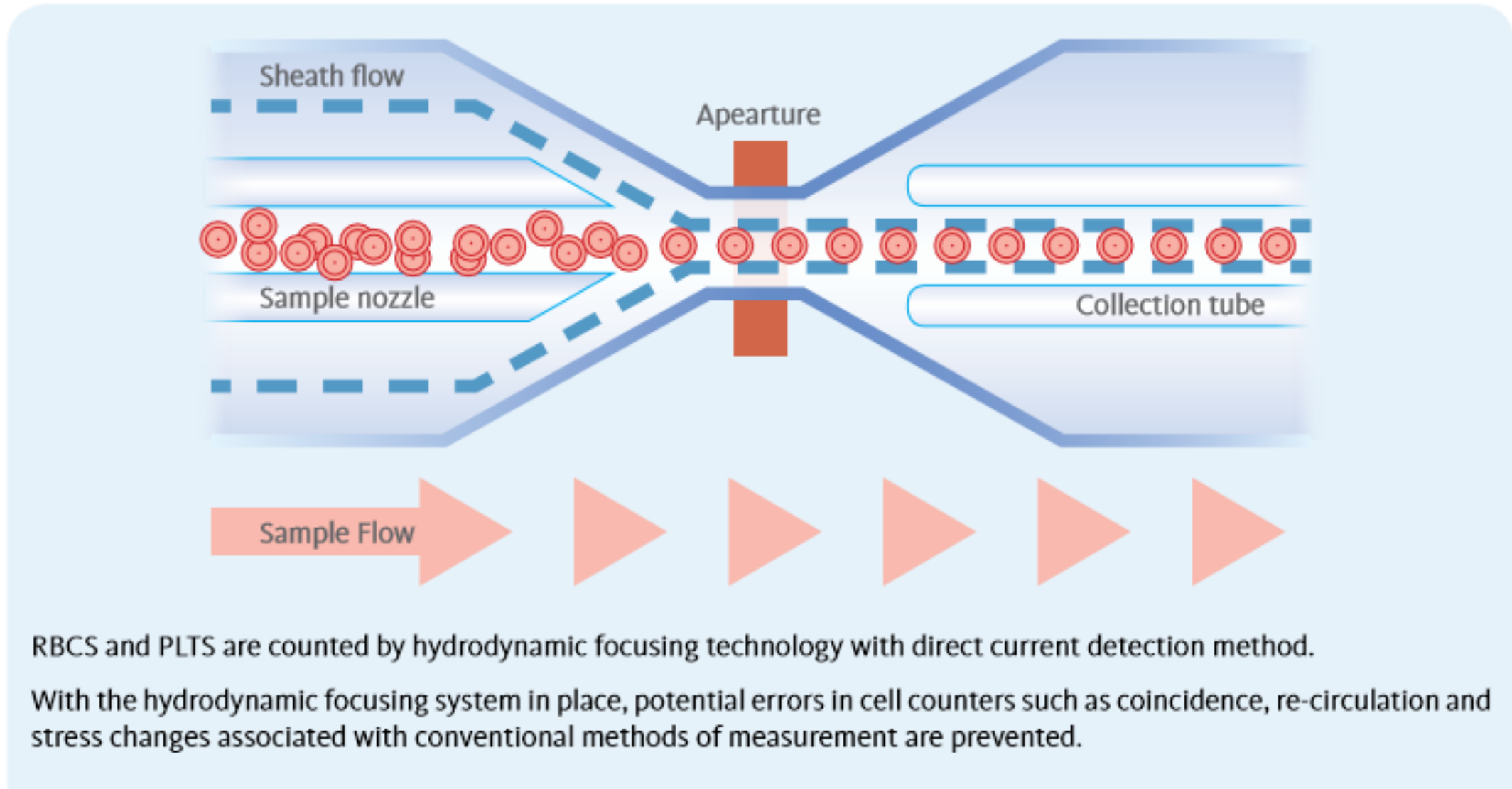


Hydrodynamic Focusing Direct Current



Hydrodynamic Focusing Direct Current

- There is an existing current between the 2 electrodes that makes up the aperture.
- Blood cells are poor conductors of electricity
- Each cell will generate an electrical pulse that is proportional to the cell size when passing through the aperture.

