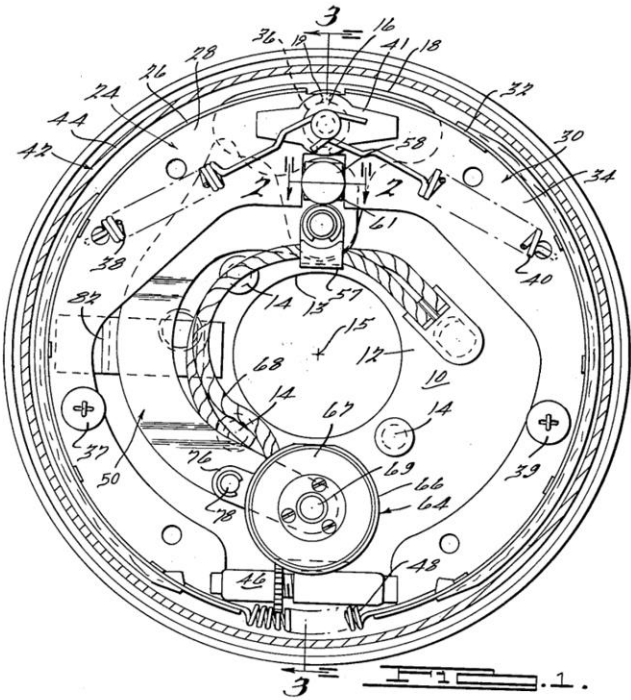
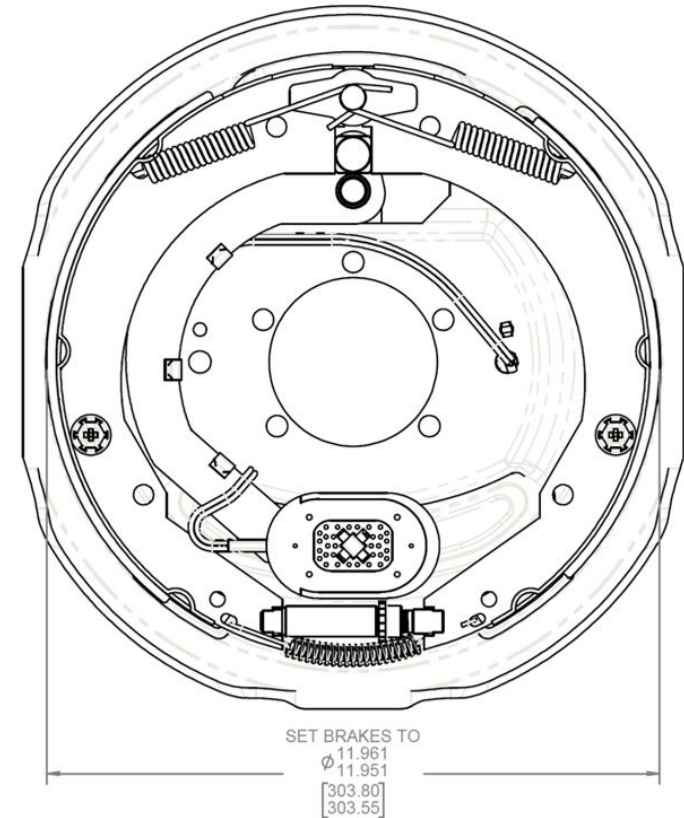


Comparison of Designs



Filed May 26, 1964
Patent No. 3134463A



Current Industry Standard